

R.T.M.

BULLETIN NO. 1149B

TELETYPE

PRINTING TELEGRAPH SYSTEMS

BULLETIN NO. 1149B

PARTS

MODEL 28 PRINTER



ATTENTION-- BELL SYSTEM ONLY

WHEN ORDERING PARTS FROM THIS BULLETIN, EACH NUMBER SHOULD BE PRECEDED BY THE LETTERS TY, WITHOUT PARENTHESES, IN ORDER TO IDENTIFY THE ITEM AS ONE TO BE SECURED FROM THE TELETYPE CORPORATION.

TELETYPE

PRINTING TELEGRAPH SYSTEMS

BULLETIN NO. 1149B

PARTS

MODEL 28 PRINTER



ATTENTION - BELL SYSTEM ONLY

WHEN ORDERING PARTS FROM THIS BULLETIN, EACH NUMBER SHOULD BE PRECEDED BY THE LETTERS TY, WITHOUT PARENTHESES, IN ORDER TO IDENTIFY THE ITEM AS ONE TO BE SECURED FROM THE TELETYPE CORPORATION.

NUMERICAL INDEX - FIGURE 1

Part Number	Description
2191	Washer, Lock
2449	Washer, Lock
3598	Nut (6-40)
3599	Nut (4-40)
49420	Spring, Margin Indicator
86835	Spring, Connector Latch
102057	Screw, Shoulder (4-40)
106047	Screw (1/4-32 x 1/2)
110434	Screw (4-40 x 1/4)
110743	Washer, Lock
111017	Screw (6-40 x 5/16)
125181	Screw (2-56 x 3/8)
150966	Insulator, Terminal Block
151113	Strip, Motor Mounting
151116	Stud, Typing Unit Locating
151118	Plate Typing Unit Spacing
151146	Strap, Typing Unit Mounting
151329	Switch, Margin Indicator
151335	Stud, Terminal Block
151341	Lever, Margin Indicator Contact
151342	Bracket, Margin Indicator Switch
151346	Screw (6-40 x 3/8)
151348	Cable, Keyboard
151365	Terminal, Suppressor Ground
151369	Suppressor, Electrical Noise
151399	Bracket, Signal Generator Guard
151415	Block, Keyboard Terminal
151416	Nut (6-40)
151657	Screw (6-40 x 1/4)
151658	Screw (6-40 x 5/16)
151678	Screw, Typing Unit Mounting
151692	Screw (6-40 x 3/16)
152460	Bracket, Connector Mounting
152462	Latch, Right
152463	Latch, Left
152464	Insulator, Connector
152467	Connector, Keyboard

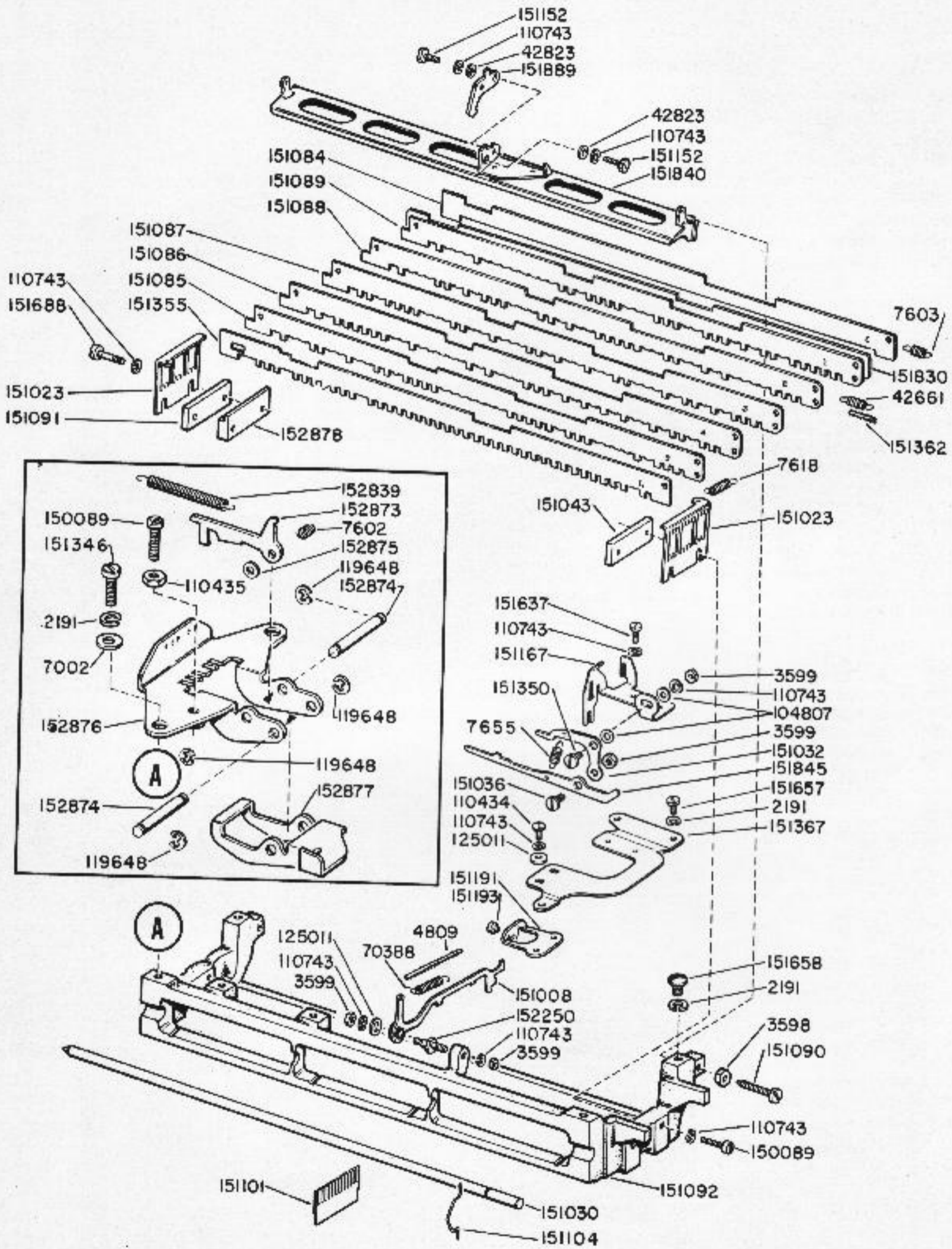


FIGURE 2. KEYBOARD, CODE BAR MECHANISM

NUMERICAL INDEX - FIGURE 2

Part Number	Description	Part Number	Description
2191	Washer, Lock	152873	Latch, Code Bar
3598	Nut (6-40)	152874	Shaft, Latch
3599	Nut (4-40)	152875	Spacer
4809	Wick, Felt	152876	Bracket, Bounce Suppressor
7002	Washer, Flat	152877	Bail Bounce Suppressor
7602	Spring, Compression	152878	Bracket, Code Bar Stop
7603	Spring, Clutch Trip Bar		
7618	Spring, Code Lever Bail		
7655	Spring, Non-Repeat		
42661	Spring, Code Bar		
42823	Washer, Flat		
70388	Spring, Latch Lever		
104807	Washer, Flat		
110434	Screw (4-40 x 1/4)		
110435	Nut (4-40)		
110743	Washer, Lock		
119648	Ring, Retaining		
125011	Washer, Flat		
150089	Screw (4-40 x 1/2)		
151008	Lever, Code Lever Bail Latch		
151023	Guide, Code Bar		
151030	Shaft, Code Lever		
151032	Crank, Non-Repeat Bell		
151036	Screw, Shoulder (4-40)		
151043	Plate		
151084	Bar, Clutch Trip		
151085	Bar, Code (#5)		
151086	Bar, Code (#4)		
151087	Bar, Code (#3)		
151088	Bar, Code (#2)		
151089	Bar, Code (#1)		
151090	Screw, Pilot (6-40)		
151091	Plate		
151092	Frame, Code Bar		
151101	Guide, Code Bar		
151104	Clip, Code Lever Shaft Retaining		
151152	Screw (4-40 x 3/16)		
151167	Bracket, Non-Repeat		
151191	Bracket, Code Bar Bail Bumper		
151193	Bumper, Code Bar Bail		
151346	Screw (6-40 x 3/8)		
151350	Screw, Shoulder (4-40)		
151355	Bar, Lock		
151362	Wick, Felt		
151367	Plate, Non-Repeat Mounting		
151637	Screw (4-40 x 1/4)		
151657	Screw (6-40 x 1/4)		
151658	Screw (6-40 x 5/16)		
151688	Screw (4-40 x 5/8)		
151830	Bar, Upstop		
151840	Bail, Code Lever		
151845	Lever, Non-Repeat		
151889	Extension, Code Lever Bail		
152250	Stud, Eccentric		
152839	Spring, Code Bar Latch		

SEE CHART ON PAGE 100 FOR PART NUMBERS

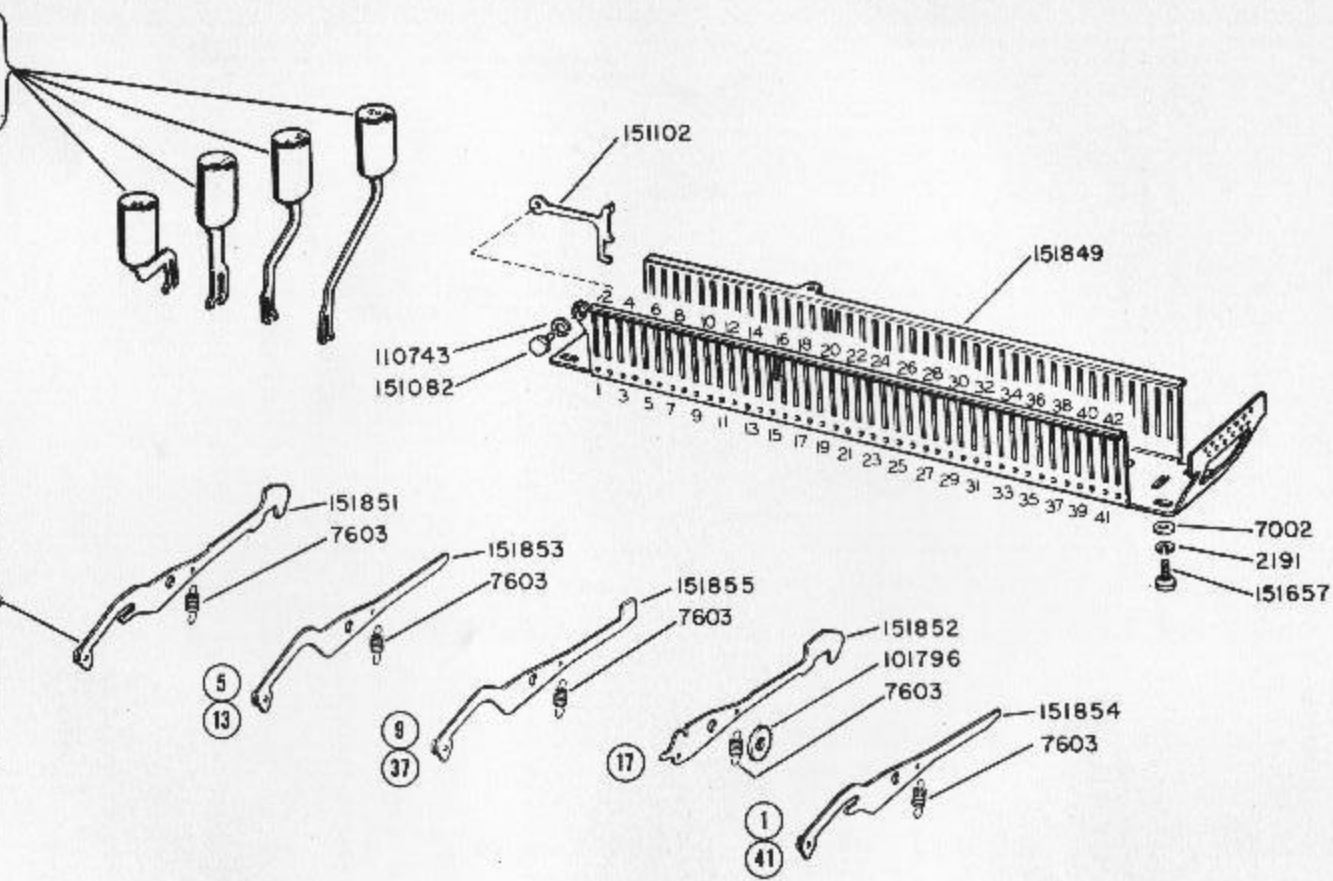


FIGURE 3. KEYBOARD, KEYLEVERS AND CODE LEVERS

NUMERICAL INDEX - FIGURE 3

Part Number	Description
2191	Washer, Lock
7002	Washer, Flat
7603	Spring, Code Lever
101796	Washer, Felt
110743	Washer, Lock
151082	Screw, Pilot (4-40)
151102	Pawl, Lock Bar
{ 151286 to 151300	Keylevers
{ 151302 to 151306	Keylevers
{ 151308 to 151322	Keylevers
151657	Screw (6-40 x 1/4)
151849	Guide, Code Lever
151851	Lever, Code Bar
151852	Lever, Space Code
151853	Lever, Lock, Break Function
151854	Lever, Line Feed, Carriage Return Function
151855	Lever, Unlock, Repeat Function
{ 151901 to 151910	Keylevers
{ 152001 to 152016	Keylevers
{ 152130 to 152132	Keylevers

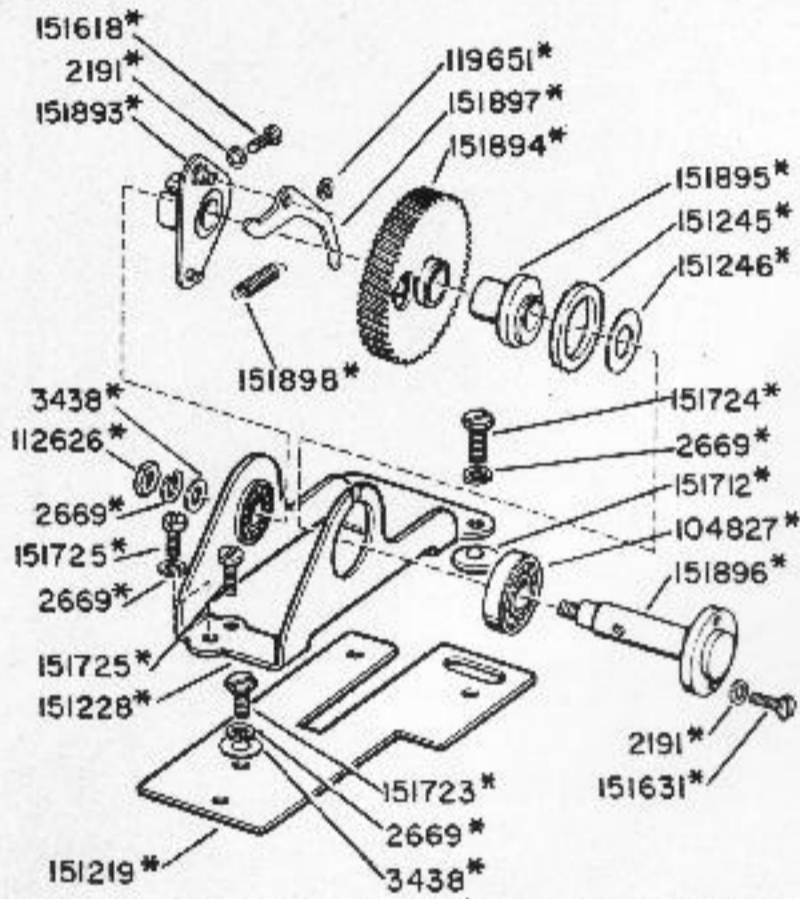


FIGURE 4. KEYBOARD, INTERMEDIATE GEAR MECHANISM

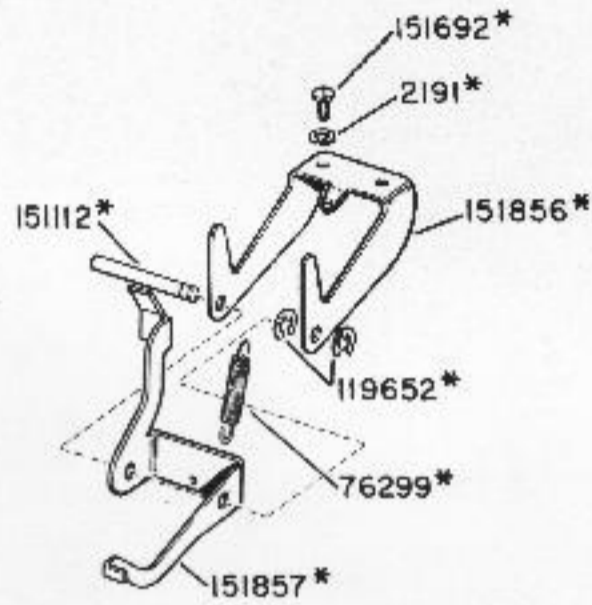
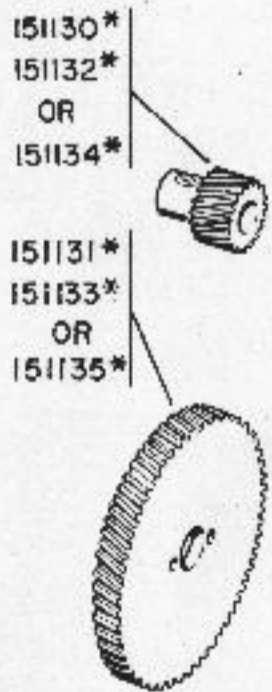


FIGURE 6. KEYBOARD, CARRIAGE RETURN MECHANISM



NOTE: SEE CHART ON PAGE 101 FOR GEAR SETS.

FIGURE 5. GEAR SETS

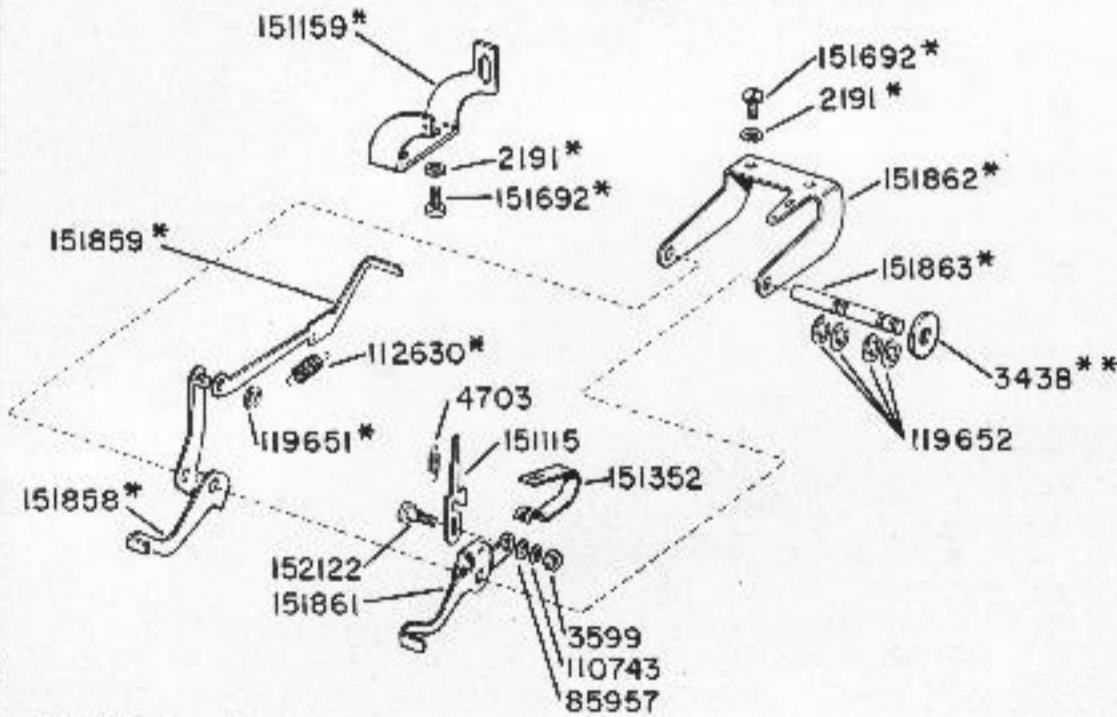


FIGURE 7. KEYBOARD, KEYBOARD LOCK AND LOCAL LINE FEED MECHANISM

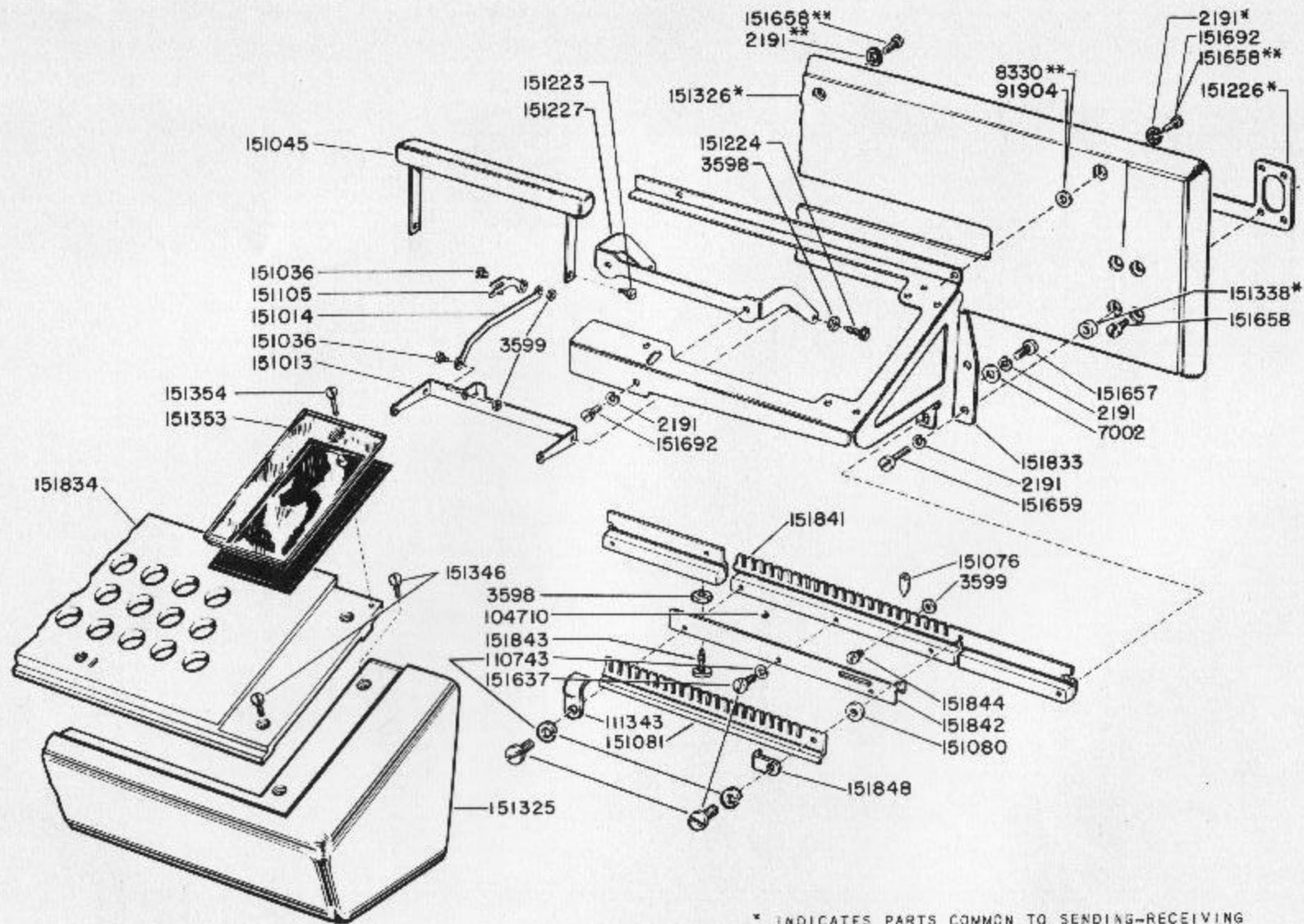
* INDICATES PARTS COMMON TO SENDING-RECEIVING KEYBOARD AND RECEIVING ONLY BASE.

** INDICATES PARTS PECULIAR TO RECEIVING ONLY BASE.

NUMERICAL INDEX - FIGURE 4,5,6,7

Part Number	Description
2191	Washer, Lock
2669	Washer, Lock
3438	Washer, Flat
3599	Nut (4-40)
4703	Spring, Lock Bail
76299	Spring, Carriage Return Bail
85957	Washer, Flat
104827	Bearing, Intermediate Gear Shaft Ball
110743	Washer, Lock
112626	Nut (10-32)
112630	Spring, Local Line Feed Trip Link
119651	Ring, Retaining
119652	Ring, Retaining
151112	Shaft, Carriage Return Bail
151115	Plunger, Lock
151130	Pinion, Motor
151131	Gear, Intermediate Driven
151132	Pinion, Motor
151133	Gear, Intermediate Driven
151134	Pinion, Motor
151135	Gear, Intermediate Driven
151159	Bracket, Local Line Feed Trip Link
151219	Plate
151228	Bracket, Intermediate Gear
151245	Washer, Felt
151246	Washer, Spacing
151352	Spring, Local Line Feed Lock Plunger
151618	Screw (6-40 x 7/16)
151631	Screw (6-40 x 5/16)
151692	Screw (6-40 x 3/16)
151712	Button, Intermediate Gear Bracket Pivot
151723	Screw, Nut Plate (10-32 x 3/8)
151724	Screw, Bracket Mounting (10-32 x 5/8)
151725	Screw, Bracket Clamping, Adjusting (10-32 x 3/4)
151856	Bracket, Carriage Return
151857	Bail, Carriage Return
151858	Bail, Local Line Feed Trip
151859	Link, Local Line Feed Trip
151861	Bail, Lock
151862	Bracket, Local Line Feed, Lock
151863	Shaft, Local Line Feed Bail, Lock Bail
151893	Plate, Intermediate Gear Overload
151894	Gear, Intermediate Typing Unit Driving
151895	Bushing, Intermediate Driving Gear Eccentric
151896	Shaft, Intermediate Gear Driving
151897	Lever, Intermediate Gear Overload
151898	Spring, Intermediate Overload Lever
152122	Screw, Lock Plunger Shoulder (4-40)

FIGURE 8. KEYBOARD MECHANISM



* INDICATES PARTS COMMON TO SENDING-RECEIVING
KEYBOARD AND RECEIVING ONLY BASE.

** INDICATES PARTS PECULIAR TO RECEIVING ONLY BASE.

NUMERICAL INDEX - FIGURE 8

Part Number	Description
2191	Washer, Lock
3598	Nut (6-40)
3599	Nut (4-40)
7002	Washer, Flat
8330	Washer, Flat
91904	Washer, Flat
104710	Ball, Lock
110743	Washer, Lock
111343	Clamp, Lock Ball Retainer
151013	Bail, Space Bar
151014	Link, Space Code
151036	Screw, Shoulder (4-40)
151045	Bar, Space
151076	Wedge, Locking
151080	Washer, Spacing
151081	Retainer, Locking Wedge
151105	Lever Extension, Space Code
151223	Screw, Shoulder (4-40)
151224	Screw, Space Bar Pivot (6-40)
151226	Strip, Nut Plate
151227	Bracket, Space Bar
151325	Cover, Key Lever
151326	Plate, Sealing
151338	Collar, Spacing
151346	Screw (6-40 x 3/8)
151353	Cover, Label
151354	Screw, Label Mounting (2-56 x 3/16)
151637	Screw (4-40 x 1/4)
151657	Screw, (6-40 x 1/4)
151658	Screw (6-40 x 5/16)
151659	Screw (6-40 x 1/2)
151692	Screw (6-40 x 3/16)
151833	Frame, Front
151834	Plate, Keytop Guide
151841	Channel, Lock Ball
151842	Retainer, Lock Ball
151843	Screw, Adjusting (6-40)
151844	Screw, Stop (4-40)
151848	Lock, Locking Wedge

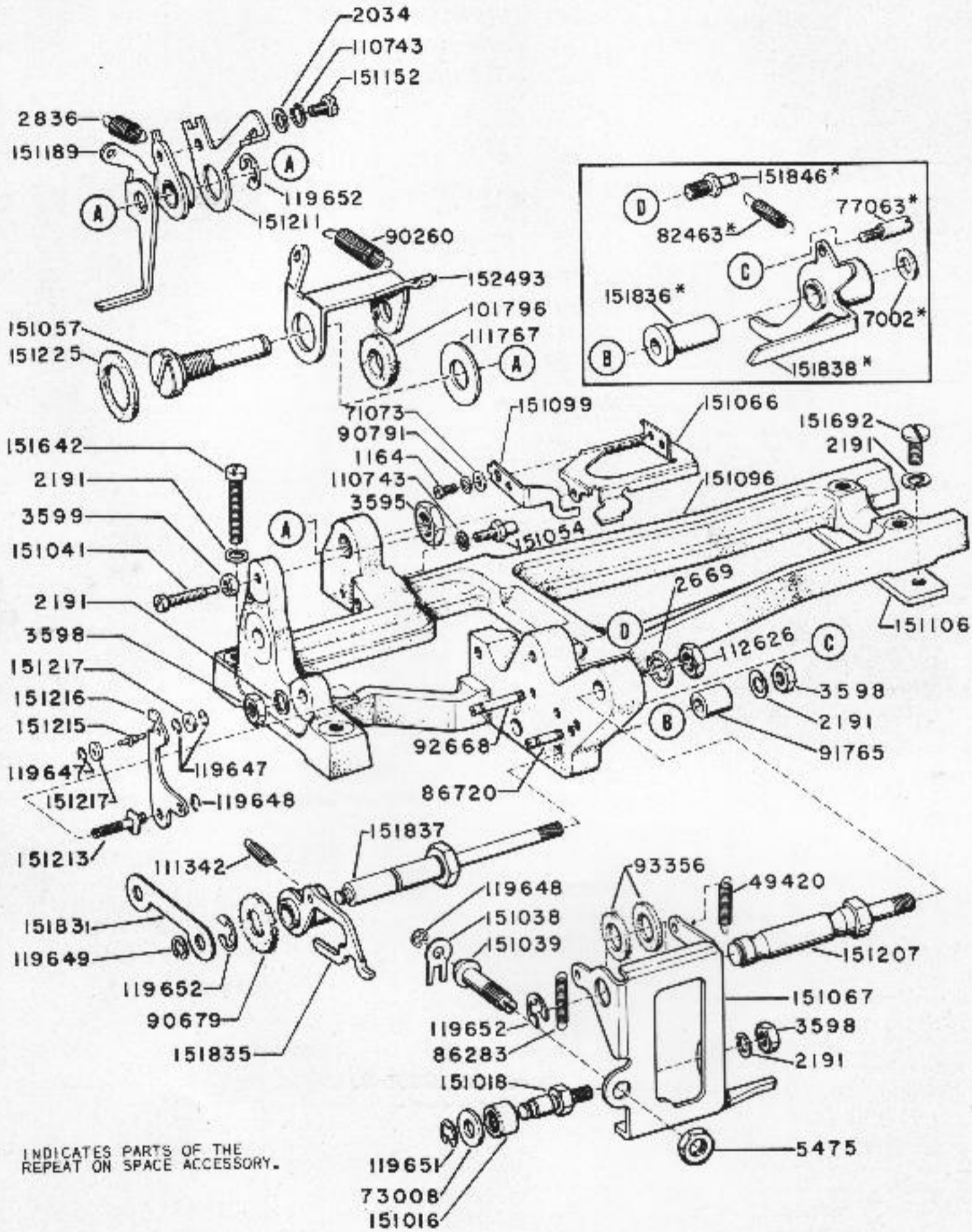
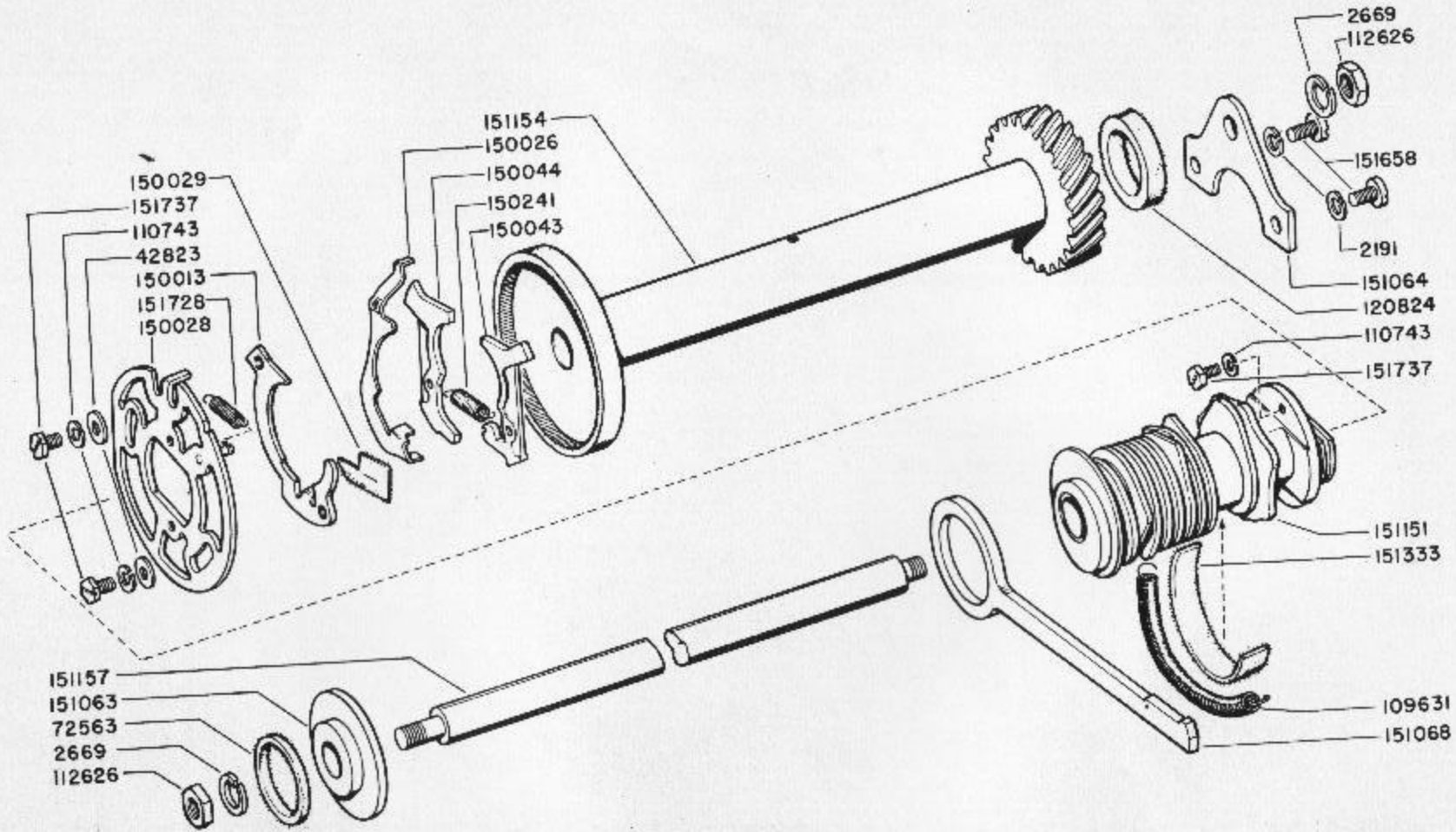


FIGURE 9. KEYBOARD, SIGNAL GENERATOR MECHANISM

NUMERICAL INDEX - FIGURE 9

Part Number	Description		
1164	Screw (2-56 x 3/16)	151692	Screw (6-40 x 3/16)
2034	Washer, Flat	151831	Link
2191	Washer, Lock	151835	Lever, Code Bar Bail Latch
2669	Washer, Lock	151836	Bushing, Repeat-On-Space
3595	Nut (1/4 - 32)	151837	Stud
3598	Nut (6-40)	151838	Lever, Repeat-On-Space
3599	Nut (4-40)	151846	Post, Spring
5475	Nut (3/16 - 40)	152493	Lever, Clutch Latch
7002	Washer, Flat		
31636	Spring, Clutch Stop Lever		
49420	Spring, Code Bar Bail		
71073	Washer, Flat		
73008	Washer, Flat		
77063	Screw, Stop (4-40)		
82463	Spring, Repeat - On - Space Lever		
86283	Spring, Eccentric Follower		
86720	Post, Spring		
90260	Spring, Clutch Latch Lever		
90679	Washer, Felt		
90791	Washer, Lock		
91765	Spacer		
92668	Post, Spring		
93356	Washer, Felt		
101796	Washer, Felt		
110743	Washer, Lock		
111342	Spring, Code Bar Bail Latch		
111767	Washer, Flat		
112626	Nut (10-32)		
119647	Ring, Retaining		
119648	Ring, Retaining		
119649	Ring, Retaining		
119651	Ring, Retaining		
119652	Ring, Retaining		
151016	Bearing, Code Bar Bail Roller		
151018	Stud, Code Bar Bail Roller Bearing		
151038	Plate, Eccentric Follower Guide		
151039	Stud, Code Bar Bail Adjusting		
151041	Screw, Pilot (4-40)		
151054	Stud, Clutch Trip Bail Extension Stop		
151057	Screw, Pilot (1/4 - 32)		
151066	Bail, Rocker		
151067	Bail, Code Bar		
151096	Frame, Signal Generator		
151099	Extension, Rocker Bail		
151106	Plate, Signal Generator Mounting		
151152	Screw (4-40 x 3/16)		
151189	Bail, Clutch Trip		
151207	Stud, Code Bar Bail		
151211	Lever, Clutch Stop		
151213	Stud, Eccentric Pivot		
151215	Shaft, Rocker Bail Detent Roller		
151216	Detent, Rocker Bail		
151217	Roller, Rocker Bail Detent		
151225	Washer, Felt		
151642	Screw (6-40 x 3/4)		

FIGURE 10. KEYBOARD, SIGNAL GENERATOR MECHANISM



11498